



北京振中致远显示技术有限公司

BEIJING ZHENZHONG ZHIYUAN DISP-TECH. CO.,LTD.

型号:

TNS-G12864YGDTN-KW

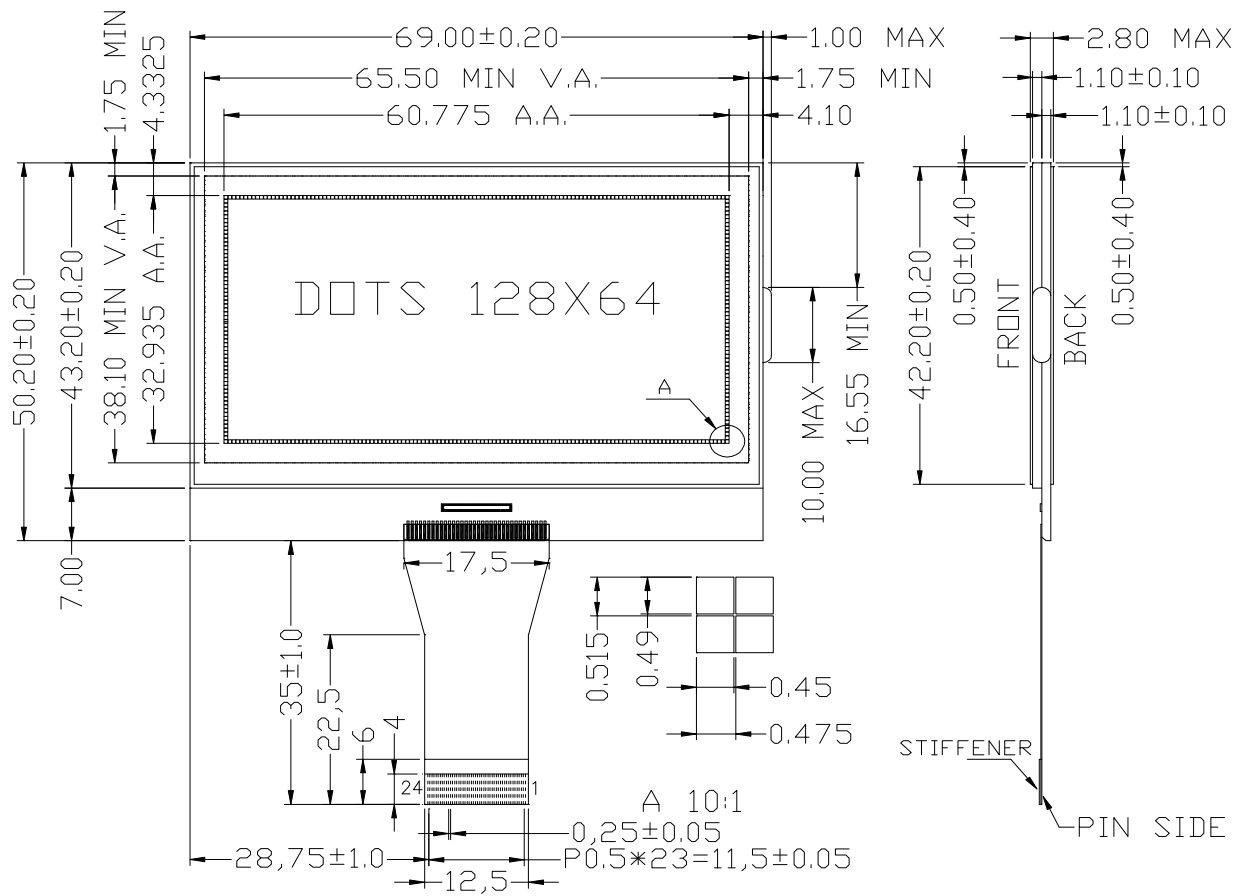
PRODUCT SPECIFICATIONS

TNS-G12864YGDTN-KW

- EXTERNAL DIMENSIONS
- PHYSICAL DATA
- ABSOLUTE MAXIMUM RATINGS
- ELECTRO-OPTICAL CHARACTERISTICS
- INTERFACE PIN CONNECTIONS



EXTERNAL DIMENSION



PHYSICAL DATA

Item	Contents	Unit
DIMENSIONAL OUTLINE	69.0(W)×50.2(H)×2.8(MAX)(T)	mm
VIEWING AREA	66.5(W)X38.1(H)	mm
EFFECTIVE AREA	60.775(W)×32.935(H)	mm
LCD TYPE	STN-TANSMISSIVE-POSITIVE-YELLOW-GREEN	---
LCD DUTY	1/64	---
LCD BIAS	1/9	---
VIEWING DIRECTION	6	o'clock
NUMBER OF DOTS	128×64	dots
DOT SIZE	0.45(W)×0.49(H)	mm
DOT PITCH	0.475(W)×0.505(H)	mm

ABSOLUTE MAXIMUM RATINGS (Ta = 25°C)

ITEM	SYMBOL	MIN	TYP.	MAX	UNIT
SUPPLY VOLTAGE FOR LOGIC	V _{DD}	-0.3	--	7.0	V

	北京振中致远显示技术有限公司	型号: TNS-G12864YGDTN-KW
	BEIJING ZHENZHONG ZHIYUAN DISP-TECH. CO.,LTD.	

SUPPLY VOLTAGE FOR LCD	V _{LCD}	-0.3	--	17.0	V
INPUT VOLTAGE	V _{IN}	-0.3	--	VDD + 0.3	V
OPERATING TEMPERATURE	T _{OP}	-10	--	50	°C
STORAGE TEMPERATURE	T _{ST}	-20	--	60	°C

■ ELECTRO-OPTICAL CHARACTERISTICS

Condition:TEMP=(23±3)°C Hum=(70±5)%RH

NO	Item	Symbol	Min	Typ.	Max	Unit	Condition
1	Supply Voltage(Logic)	Vdd-Vss		3.0		V	
2	Supply Current (Logic)	Idd			1.0	mA	Vdd=5V
3	LCD Operating Voltage	Vdd-V ₀		9.0		V	25°C
4	Backlight Forward Voltage	VF	--	--	--	--	V

:

■ INTERFACE PIN CONNECTIONS

Pin No.	Symbol	Function
1	/CS1	Chip1 select input
2	/RES	Reset signal input
3	A0	This is connected to the least significant bit of the normal MPU address bus A0="H" indicating that D0 to D7 are display data and A0="L" indicating that D0 to D7 are control data.
4	VDD	Power supply
5	SCLK	MCU interface input
6	SID	MCU interface input
7	V _{DD}	Chip's power supply pin
8	VSS	Ground
9	V _{OUT}	DC/DC Voltage converter output
10	CAP4+	Capacitor 4+pad for internal DC/DC voltage converter
11	CAP3+	Capacitor 3+pad for internal DC/DC voltage converter
12	CAP1-	Capacitor 1- pad for internal DC/DC voltage converter



北京振中致远显示技术有限公司

BEIJING ZHENZHONG ZHIYUAN DISP-TECH. CO.,LTD.

型号:

TNS-G12864YGDTN-KW

13	CAP1+	Capacitor 1+pad for internal DC/DC voltage converter
14	CAP2+	Capacitor 2+ pad for internal DC/DC voltage converter
15	CAP2-	Capacitor 2- pad for internal DC/DC voltage converter
16	V1	LCD Supply Voltage V1
17	V2	LCD Supply Voltage V2
18	V3	LCD Supply Voltage V3
19	V4	LCD Supply Voltage V4
20	V0	LCD Supply Voltage V0
21	VR	Voltage adjustment pad. Applies voltage between V0 and VSS using a resistive divider.
22	VSS	Ground
23	HMP	This is the power control terminal for the power supply circuit for liquid crystal drive. /HPM = "H", Normal power mode /HPM = "L", High power mode
24	IRS	This terminal selects the resistors for the V0 voltage level adjustment. IRS = "H", Use the internal resistors IRS = "L", Do not use the internal resistors